

CLICKFIX

Robust air distribution system for flexible ducts

Ø63 | Ø75 | Ø90



For every home a solution.

**EASY TO
INSTALL**

High productivity

**EXCEPTIONALLY
FLEXIBLE**

Plug & play

**VERY
ROBUST**

Rock-solid

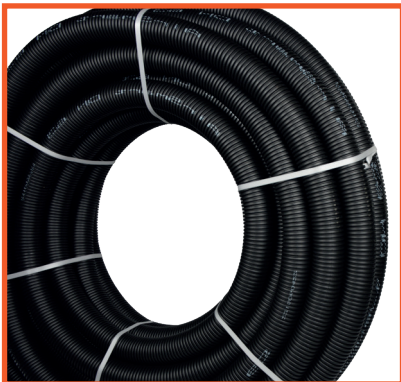
**FAIR VALUE
FOR MONEY**



AirSmart
Smart with air

CLICKFIX

Product range



ClickFix FLEXIBLE DUCT

The very flexible ducts are made from HDPE-mod and have a diameter of 63mm, 75mm and 90mm. They are perfectly compatible with the ClickFix collectors and are easy to install.

The inside layer is equipped with an antibacterial and antistatic coating. This enhances hygiene and guarantees minimal air resistance.

De 500N pressure capacity guarantees a solid duct that can take a punch.

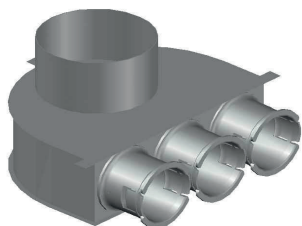
ClickFix SMART CONNECTOR

The patented ClickFix fitting is developed to enhance speed and efficiency in the field. These fittings do not require any extra clips or safeguards.

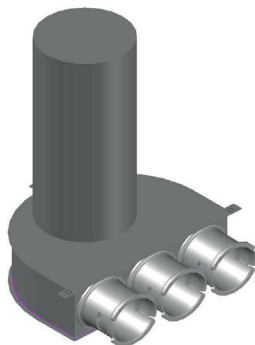
A mistake is not uncommon... Does your connector need to be refitted? No worries, just click your duct out of the fitting and readjust. Peanuts!



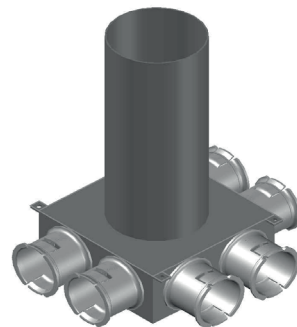
AIR VALVE COLLECTOR



10.FVCKØ.3H

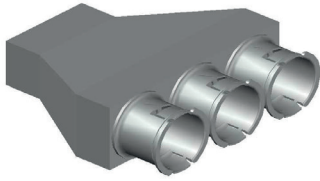


10.FVCØ.3H



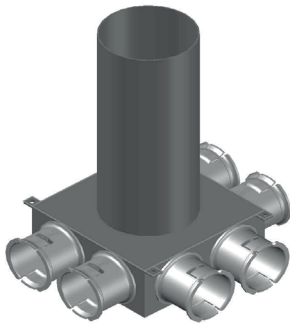
10.FHCVØ.6H

SUB-DISTRIBUTION BOX

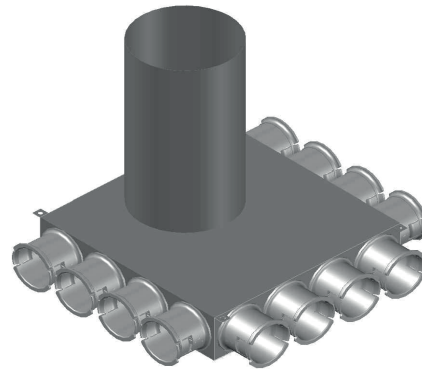


10.FSCHØ.3H

VERTICAL AIR DISTRIBUTION BOX

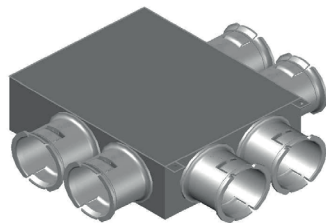


10.FHCVØ.6H

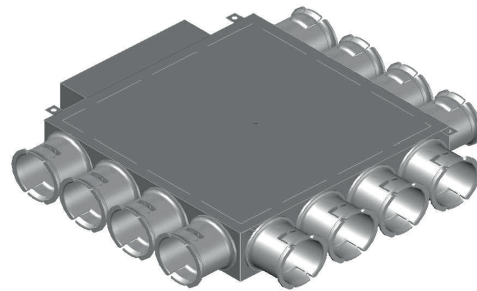


10.FHCVØ.12H

HORIZONTAL AIR DISTRIBUTION BOX

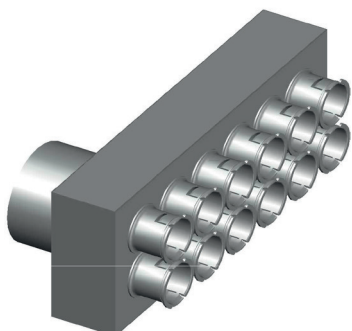


10.FHCHØ.6H

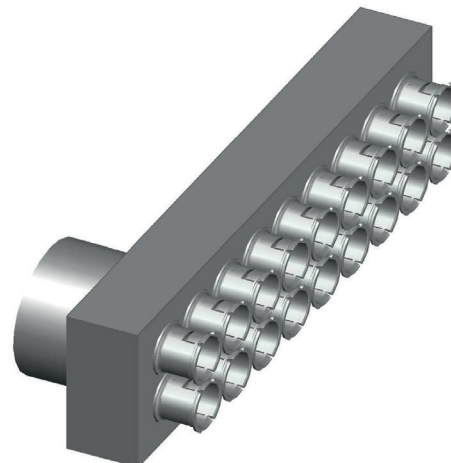


10.FHCHØ.12H

MAIN AIR DISTRIBUTION BOX



10.FHCØ.12H



10.FHCØ.18H

CLICKFIX ADVANTAGES

Convenient mounting, flexible application, fair value for money

The ClickFix collectors were designed with one important aspect in mind: EFFICIENCY.

Over again we asked ourselves the same question, how can the installers in the field complete the project fast, efficient without the risk of making mistakes. ClickFix offers the answer to that problem. Below you can find some of the key features.

